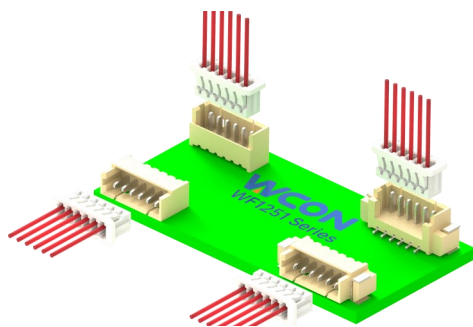


WF1251 Series

1.25mm pitch/Wire-to-board Connector

**Overview**

WF1251 is a 1.25mm pitch wire to board connector, the product has both high density, high performance, high integration and other advantages, can effectively ensure the stability of the signal transmission and integrity, the board end to provide horizontal and vertical direction of the board mounting, to meet the customer's different angles of the insertion of the adapter.

Features and Benefits

- Small size and high integration
- Mis-insertion-proof design to avoid mis-insertion effectively
- Convex point lock design enhances interoperability stability
- board end has various shapes and can meet the plug-in needs of customers in various occasions

Product Applications

- Industrial control and automation
- Equipment monitoring instrument

Standard 标准

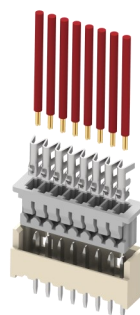
- EIA 364

Material 材料

Part/零件	Material/材料	Finish/电镀	UL Flame retardant/阻燃等级
Housing/主体	PA66	White/白色	UL94V-0
Header/板端	PA6T	Natural/本色	UL94V-0
Terminal/端子	phosphor bronze 磷铜 (C5191)	Tin plated/Gold 镀锡/镀金	-

WF1251系列

1.25mm间距/线到板连接器



Two-point contact
两点接触

概述

WF1251是一款1.25mm间距线到板连接器，产品兼具高密度、高性能、高集成等优点，能有效确保信号传输的稳定性以及完整性，板端提供水平及垂直方向贴板安装，满足客户不同角度对插适配。

产品特点

- 产品体积小，集成度高
- 防错插设计、有效避免错插
- 凸点锁扣设计，增强互配稳定性
- 板端形态多样，可满足客户各种场合的对插需求

应用领域

- 工业控制与自动化
- 设备监控仪器

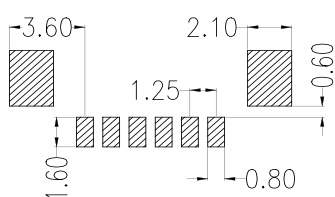
Production Specifications 产品规格

Current rating 额定电流	1.0 A	Operating Temperature Range:-25° C~+85° (including temperature rise) Operating Humidity Range:20-80% 工作温度范围: -40° C~+105° C(含温升) 工作湿度范围: ≤80%	Storage temperature: Humidity: 储存温度: 25±5° C 储存湿度: ≤60%
Voltage rating 额定电压	100V		

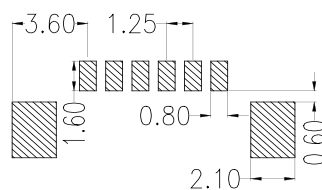
Item 项目	Condition 条件	Specification 规格
Insulation Resistance 绝缘电阻	Measured at 500V DC for 1 minute 测试电压: 500V DC/1分钟	No less than 100M Ω 不少于100MΩ
Withstanding voltage 耐电压	Measured at 500V AC for 1 minute 测试电压: 500V AC/1分钟	No breakdown, no discharge, leakage current <0.5mA 无击穿、无放电、漏电流<0.5mA
Contact Resistance 接触电阻	Measured at 1mA and no higher than 20mV 用20 mV DC进行测量	Contact resistance: Initial value/ 30 mo max After environmental tests/ 50 mo max. 接触电阻: 初始值 20 mΩ 以下 测试后 30 mΩ 以下
Vibration Resistance 抗振动	Frequency : 50 ~ 2000 Hz PSD value : 5. 35Gms minimum Duration : 15 minutes/axis Times : Each of three mutually perpendicular planes. 频率: 50 ~ 2000 Hz PSD 值: 5. 35Gms minimum 时长: 15分钟/轴 次数: 3次	No electrical discontinuity of 1μsorgreater 试验过程中未发生1μs瞬断现象, 且外观无损伤, 电气性能正常
Humidity (Steady state) 湿度	Temperature : 25~65°C Humidity: 90 ~95% (R.H) Duration : 96 hours 温度: 25~65° C 湿度: 90 ~95% (R.H) 时间: 96小时	Contact resistance: Initial value/ 20 mo max After environmental tests/ 30 mo max. 接触电阻: 初始值 20 mΩ 以下 测试后 30 mΩ 以下
Salt Spray 盐雾	Temperature:35#2°C Humidity:95~98%(R.H) PHValue : 6.5 ~ 7.2 Duration : 12hours 温度: 35±2° C 湿度: 95~98%(R.H) PH值: 6.5~7.2 时间: 12小时	Contact resistance: Initial value/ 20 mo max After environmental tests/ 30 mo max. 接触电阻: 初始值 20 mΩ 以下 测试后 30 mΩ 以下
Durability(Mating/un-mating) 插拔寿命	30 cycles 循环30次	Contact resistance: Initial value/ 20 mo max After environmental tests/ 30 mo max. 接触电阻: 初始值 20 mΩ 以下 测试后 30 mΩ 以下

PCB Layout 印刷电路板布局

(S/T)SMT type 表面贴装型



(R/A)SMT type 表面贴装

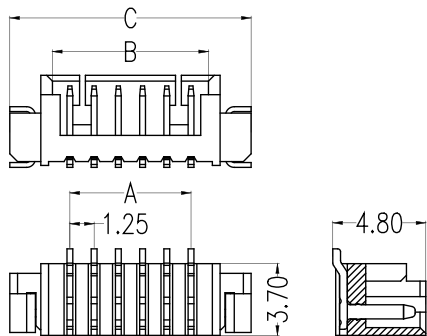


DIP type 通孔焊接型

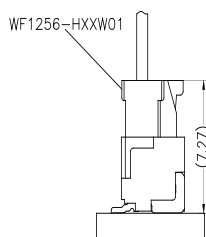


WF1251 Series

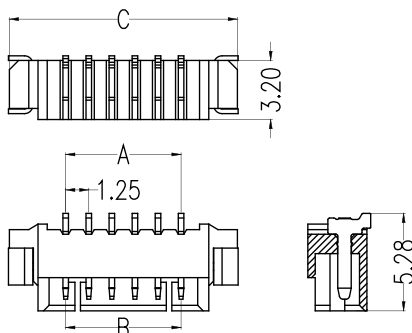
Dimensions 尺寸 (S/T SMT)



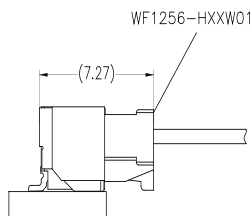
Assembly Schematic 装配示意



Dimensions 尺寸 (R/A SMT)



Assembly Schematic 装配示意



Order Information 订购信息

Circuit 芯数	Part number 型号	Dimensions 尺寸 (mm)			Package 包装 Q'ty/Tube 只/管装	Remake 可量产状态
		A	B	C		
2	WF1251-WM02XXWT1	1.25	3.05	7.45	75	*
3	WF1251-WM03XXWT1	2.50	4.30	8.70	64	*
4	WF1251-WM04XXWT1	3.75	5.55	9.95	56	*
5	WF1251-WM05XXWT1	5.00	6.80	11.20	50	*
6	WF1251-WM06XXWT1	6.25	8.05	12.45	45	*
7	WF1251-WM07XXWT1	7.50	9.30	13.70	41	*
8	WF1251-WM08XXWT1	8.75	10.55	14.95	37	*
9	WF1251-WM09XXWT1	10.00	11.80	16.20	34	*
10	WF1251-WM10XXWT1	11.25	13.05	17.45	31	*
11	WF1251-WM11XXWT1	12.50	14.30	18.70	30	*
12	WF1251-WM12XXWT1	13.75	15.55	19.95	28	*
13	WF1251-WM13XXWT1	15.00	16.80	21.20	26	*
14	WF1251-WM14XXWT1	16.25	18.05	22.45	25	*
15	WF1251-WM15XXWT1	17.50	19.30	23.70	24	*

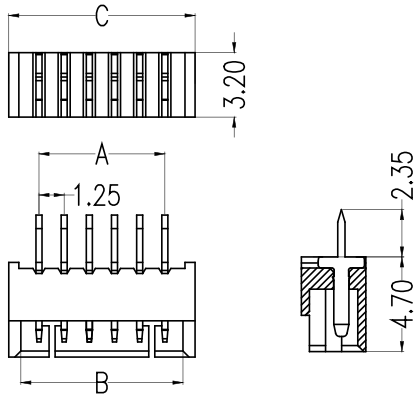
Note: * stands for mass production . 注: *代表可量产

Order Information 订购信息

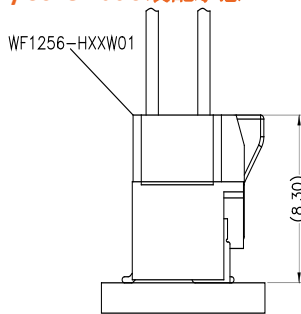
Circuit 芯数	Part number 型号	Dimensions 尺寸 (mm)			Package 包装 Q'ty/Tube 只/管装	Remake 可量产状态
		A	B	C		
2	WF1251-WZ02XXWT1	1.25	3.05	4.25	75	*
3	WF1251-WZ03XXWT1	2.50	4.30	5.50	64	*
4	WF1251-WZ04XXWT1	3.75	5.55	6.75	56	*
5	WF1251-WZ05XXWT1	5.00	6.80	8.00	50	*
6	WF1251-WZ06XXWT1	6.25	8.05	9.25	45	*
7	WF1251-WZ07XXWT1	7.50	9.30	10.50	41	*
8	WF1251-WZ08XXWT1	8.75	10.55	11.75	37	*
9	WF1251-WZ09XXWT1	10.00	11.80	13.00	34	*
10	WF1251-WZ10XXWT1	11.25	13.05	14.25	31	*
11	WF1251-WZ11XXWT1	12.50	14.30	15.50	30	*
12	WF1251-WZ12XXWT1	13.75	15.55	16.75	28	*
13	WF1251-WZ13XXWT1	15.00	16.80	18.00	26	*
14	WF1251-WZ14XXWT1	16.25	18.05	19.25	25	*
15	WF1251-WZ15XXWT1	17.50	19.30	20.50	24	*

Note: * stands for mass production . 注: *代表可量产

Dimensions 尺寸 (S/T DIP)



Assembly Schematic 装配示意

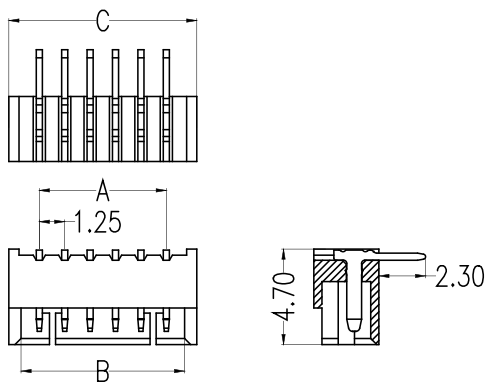


Order Information 订购信息

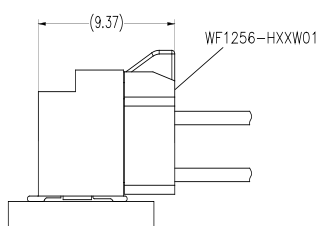
Circuit 芯数	Part number 型号	Dimensions 尺寸 (mm)			Parkage 包装 Q'ty/Tray 只/卷装	Remake 可量产状态
		A	B	C		
2	WF1251-WS02XXWR1	1.25	3.05	4.25	1000	*
3	WF1251-WS03XXWR1	2.50	4.30	5.50	1000	*
4	WF1251-WS04XXWR1	3.75	5.55	6.75	1000	*
5	WF1251-WS05XXWR1	5.00	6.80	8.00	500	*
6	WF1251-WS06XXWR1	6.25	8.05	9.25	500	*
7	WF1251-WS07XXWR1	7.50	9.30	10.50	400	*
8	WF1251-WS08XXWR1	8.75	10.55	11.75	400	*
9	WF1251-WS09XXWR1	10.00	11.80	13.00	400	*
10	WF1251-WS10XXWR1	11.25	13.05	14.25	300	*
11	WF1251-WS11XXWR1	12.50	14.30	15.50	300	*
12	WF1251-WS12XXWR1	13.75	15.55	16.75	300	*
13	WF1251-WS13XXWR1	15.00	16.80	18.00	200	*
14	WF1251-WS14XXWR1	16.25	18.05	19.25	200	*
15	WF1251-WS15XXWR1	17.50	19.30	20.50	200	*

Note: * stands for mass production . 注: *代表可量产

Dimensions 尺寸 (R/A DIP)



Assembly Schematic 装配示意



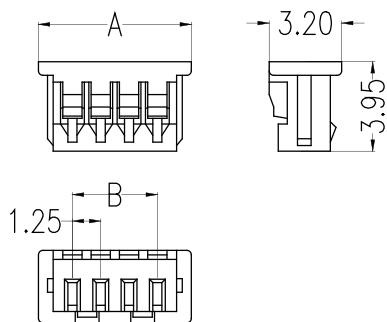
Order Information 订购信息

Circuit 芯数	Part number 型号	Dimensions 尺寸 (mm)			Parkage 包装 Q'ty/Tray 只/卷装	Remake 可量产状态
		A	B	C		
2	WF1251-WR02XXWR1	1.25	3.05	4.25	1000	*
3	WF1251-WR03XXWR1	2.50	4.30	5.50	1000	*
4	WF1251-WR04XXWR1	3.75	5.55	6.75	1000	*
5	WF1251-WR05XXWR1	5.00	6.80	8.00	500	*
6	WF1251-WR06XXWR1	6.25	8.05	9.25	500	*
7	WF1251-WR07XXWR1	7.50	9.30	10.50	400	*
8	WF1251-WR08XXWR1	8.75	10.55	11.75	400	*
9	WF1251-WR09XXWR1	10.00	11.80	13.00	400	*
10	WF1251-WR10XXWR1	11.25	13.05	14.25	300	*
11	WF1251-WR11XXWR1	12.50	14.30	15.50	300	*
12	WF1251-WR12XXWR1	13.75	15.55	16.75	300	*
13	WF1251-WR13XXWR1	15.00	16.80	18.00	200	*
14	WF1251-WR14XXWR1	16.25	18.05	19.25	200	*
15	WF1251-WR15XXWR1	17.50	19.30	20.50	200	*

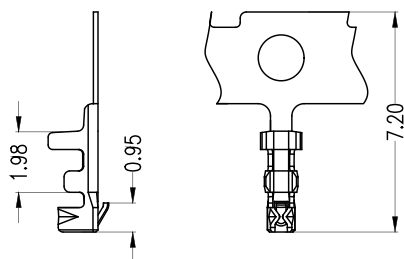
Note: * stands for mass production . 注: *代表可量产

WF1251 Series

Dimensions 尺寸



Adaptor Terminal 适配端子



型号 Model number	WF1251-TPSN01
	WF1251-TPG001

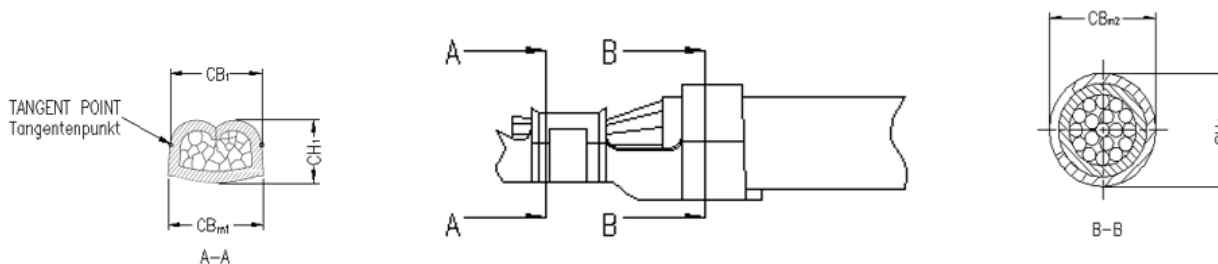
Order Information 订购信息

Circuit 芯数	Part number 型号	Dimensions 尺寸 (mm)		Package 包装 Qty/Bag 只/袋装	Remake 可量产状态
		A	B		
2	WF1251-H02W01	1.25	3.65	5,000	*
3	WF1251-H03W01	2.50	4.0	5,000	*
4	WF1251-H04W01	3.75	6.15	5,000	*
5	WF1251-H05W01	5.00	7.40	5,000	*
6	WF1251-H06W01	6.25	8.65	3,000	*
7	WF1251-H07W01	7.50	9.90	3,000	*
8	WF1251-H08W01	8.75	11.15	3,000	*
9	WF1251-H09W01	10.00	12.40	3,000	
10	WF1251-H10W01	11.25	13.65	2,000	*
11	WF1251-H11W01	12.50	14.90	2,000	
12	WF1251-H12W01	13.75	16.15	2,000	*
13	WF1251-H13W01	15.00	17.40	2,000	
14	WF1251-H14W01	16.25	18.65	2,000	*
15	WF1251-H15W01	17.50	19.90	2,000	

Note: * stands for mass production . 注: *代表可量产

Terminal Crimping specification 端子压接规范

型号 Model number	电线类型 Wire type	电线规格 Wire size	线缆 OD (mm) Cable OD (mm)	剥线长度 (mm) Strip length (mm)	导体铆压 (A-A) Conductor crimp			绝缘体铆压 (B-B) Insulation crimp	
					压接宽度CB1 Crimping width CB1±0.03mm	压接宽度CBm1 Crimping height CBm1+0.05mm	压接高度 Crimping height CH1±0.03mm	压接宽度CBm2 Crimping width CBm2±0.05mm	压接高度CH2 Crimping width CH2±0.08mm
WF1251-TPSN01 WF1251-TPG001	UL 1007	28AWG	0.5~1.04	1.2±0.2mm	0.81	0.84	0.51	1.15	1.18
	UL 1571	30AWG			0.8	0.85	0.44	0.93	0.93
	UL 1571	32AWG			0.8	0.83	0.53	0.93	0.93



Model number allocation 型号命名

WF1251	-	XX	XX	XX	W	X	1
(1)		(2)	(3)	(4)	(5)	(6)	(7)
(1) Series (系列): Wafer 1.25mm Series				(5) Color(颜色): W=White			
(2) Terminal type (端子形态): WM=S/T SMT WZ=R/A SMT WS=S/T DIP WR=R/A DIP				(6) Packing (包装): A=Tray、T=Tube、R=Reel			
(3) Circuit (位数): 02=2.....15=15P				(7) Internal code (流水码):			
(4) Contact Plating (电镀): Blank=Tin S3=10u"Gold/Tin、S4=15u"Gold/Tin、S5=30u"Gold/Tin							

WF1251	-	H	XX	W	0	1
(1)		(2)	(3)	(4)	(5)	(6)
(1) Series (系列): Wafer 1.25mm Series				(4) Color(颜色): W=White		
(2) Product type (产品类型): H=Crimp Type Housing				(5) Packing (包装): 0=PE Bag		
(3) Circuit (位数): 02=2.....15=15P				(6) Internal code (流水码)		

Contact Us 联系我们

维峰电子(广东)股份有限公司(总部)
WCON ELECTRONICS (GUANGDONG) CO.,LTD(HQ)
地址:广东省东莞市虎门镇大宁文明路15号
Add :No.15,Wenming Road,Daning Community, Humen Town, Dongguan, Guangdong,523930, China

昆山维康电子有限公司
KUNSHAN WCON ELECTRONICIS CO.,LTD(East of China)
地址:昆山市千灯镇汶浦中路169号
Add : No.169, WenPu Middle Road, QianDeng Town, Kunshan City, Jiangsu Province, China

合肥维峰电子有限公司
HEFEI WCON ELECTRONICIS CO.,LTD
地址:安徽合肥市高新技术开发区绿城科技园E栋2楼
Add : 2F, Building E, Greentown Science Park,High-tech Development Zone, Hefei, Anhui,China

维康电子(泰国)有限公司
WCON ELECTRONICS (Thailand) CO.,LTD
地址:泰国巴真武里府西玛铺县华瓦区洛加纳工业园
Add: VG3C+H57, Hua Wa, Si Maha Phot District, Prachin Buri 25140, Thailand

销售联系方式 Sales Contacts

国际客户部 International Sales Department
salesdg01@wcon.com
salesdg05@wcon.com

大客户专线 Key Account Line
华南: salesdg28@wcon.com
华东: salesks@wcon.com

中小客户专线 Small and Medium-sized Account Line
华南: salesdg10@wcon.com
华东: salesks01@wcon.com

网络销售 Online sales
salesdg26@wcon.com



Official Website



Product e-catalog



WeChat Public#



TikTok Public#